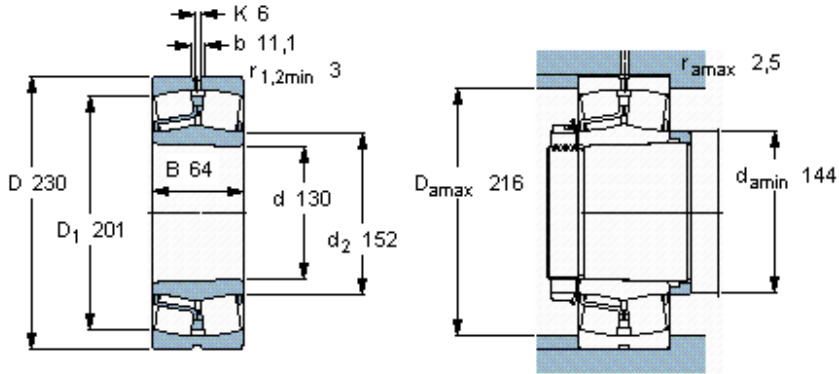


Spherical roller bearings, cylindrical and tapered bore

Principal dimensions			Basic load ratings		Speed ratings		Designation
d	D	B	dynamic C	static C0	Reference speed	Limiting speed	
mm			kN		r/min		<b>* SKF Explorer bearing</b>
<b>130</b>	230	64	758	930	2600	3600	- 22226 EK *



Tapered bore, taper  
1: 12

**Calculation factors**

- e 0,27
- $Y_1$  2,5
- $Y_2$  3,7
- $Y_0$  2,5